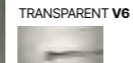




**INCLUDED**

- PLATINUM SUPERBRIGHT PT
- SILVER MATT PM
- BLACK MATT NM



PROFESSIONAL SPATULA



Exclusive gift with your shower screen.

**AT EXTRA COST**

- GOLD OB
- NICKEL NI



RAL  
SEE PAGE 187



RIBBED GLASS Y6



MIRROR ES6

FROSTED GLASS / DECO  
SEE PAGES 194 - 197



Moderate Watertightness



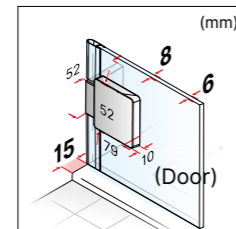
Knob P4



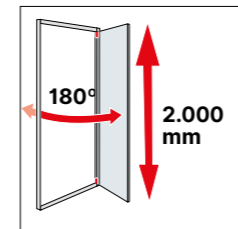
Interior cleaning without obstacles.



Glass flush hinge.



For other lines and installation options, please consult



Special height: from 1.801 to 2.500 mm.



Access: website / configurator.

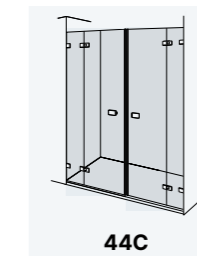
- Pivot door 180° inwards and outwards.
- 8 mm safety glass on the fixed panels and 6 mm on the door.
- Fixed panels width will change in relation with product total width.
- Central magnetic closing.
- 5 mm adaptation margin for out-of-true walls.
- Includes 45° crossbar profile from a width of 2.000 mm

# D4 Pure

Pivot twin door 180° with 2 in-line panels, for shower in a recess

Standard heights: 2.000 mm

Fix panel width 180mm From 1.901mm, the increase of dimension will be applied on the fix panel

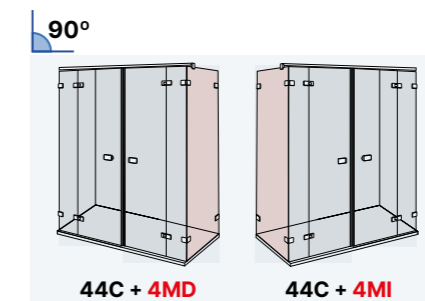


44C

**RECESSED FRONTAL**

Frontal Width	Transparent Glass
900 ↔ 1.100	
1.101 ↔ 1.300	
1.301 ↔ 1.500	
1.501 ↔ 1.700	
1.701 ↔ 1.900	
1.901 ↔ 2.100	
2.101 ↔ 2.300	

For product measurements up to 1,900 mm, the fixed panels maintain a standard width of 180 mm. For widths greater than 1,900 mm, the doors will be 720 mm wide and the fixed panels will occupy the remaining width.



44C + 4MD

44C + 4MI

**90° / 180 SIDE PANEL FOR COMBINATION WITH FRONTAL**

Lateral Width	Transparent Glass
200 ↔ 500	
501 ↔ 1.000	
1.001 ↔ 1.200	

The set price is obtained by adding the front with the side in the desired measurements.

**SURCHARGES FOR OPTIONS**

**Measurements**

Height different from standard up to 2.200 mm

Height different from standard from 2.201 to 2.500 mm.

**Profiles**

Gold (OB) / Nickel (NI)

Optional colours RAL

**Glass**

Velum Frosted

Smoke / Bronze

Ribbed Glass

Deco

Mirror on Panel

Cut-outs (please send sketch; consultation required)